

DP-3030

resourceful

**“office power tool”**

- Up to 30 cpm / Up to 30 ppm digital copying and printing
- Standard Network Printing / Document Management Software
- Scan-to-PC / Scan-to-Email / Scan-to-FTP / Scan-to-Server capabilities
- Standard Stackless Duplexing
- Standard Security Function

**Panasonic ideas for life**

# WORKiO – Options & Specifications

## Hard Disk

**Hard Disk Drive Unit**  
DA-HD60F  
(Optional Image Memory is required)

## Image Memory Options

16MB / 64MB / 128MB  
DA-SM16B / DA-SM64B / DA-SM28B

## Exit Tray (Inner)

DA-XN201

## Paper Exit Options

### Software

#### Accounting System

**Accounting Software**  
DA-WA10  
(Optional Hard Disk Drive Unit and  
Optional Image Memory are required)

#### DD Server System

**DD Server Software**  
DA-WS20  
(Network Scanner Module option or Network Scanner  
Module for Document Distribution System is required)

#### Document Distribution System

**Panasonic Document Distribution System**  
DA-WR10  
(Network Scanner Module for Document Distribution System is required)

## 1-bin Finisher

DA-FS300

## Exit Tray (Outer)

DA-XT200

## Fax / Scan-to-Email (Internet Fax) Options

**Flash Memory** 4MB Flash Memory / 8MB Flash Memory  
UE-410047F/UE-410048F

### G3 Fax

Fax Communication Board  
DA-FG300

### Scan-to-Email (Internet Fax)

Internet Fax/E-Mail Module  
DA-NF600

### Expansion Board

DA-EM600F

## Printer / Network Printer Options

Printer Controller  
Module  
DA-PC301

Multi-Page Description Language  
Controller Module  
DA-MC301

### Network Scanner Option

#### Network Scanner

Network Scanner Module  
DA-NS600

Network Scanner Module for  
Document Distribution System  
DA-NS601

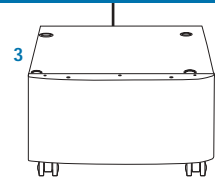
Key Counter Cable Kit  
DA-KH200

### Other Options

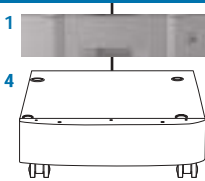
## Paper Feed Options

## Full-Height Configurations

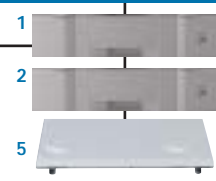
### 2-Paper Tray Configuration



### 3-Paper Tray Configuration

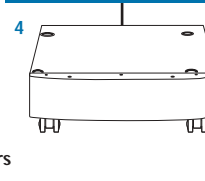


### 4-Paper Tray Configuration

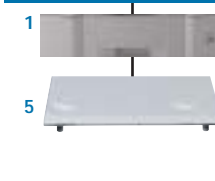


## For Wheelchair Configurations

### 2-Paper Tray Configuration



### 3-Paper Tray Configuration



- 1- 3rd Paper Tray  
DA-DS305
- 2- 4th Paper Tray  
DA-DS306
- 3- Deluxe Stand (High)  
DA-DA310R
- 4- Deluxe Stand (Low)  
DA-DA320R
- 5- Base Plate with Casters  
DA-DA230

## DP-3030 Specifications

### General

Type	Desktop
Copy / Print Process	Laser Indirect Electrostatic
Developing Process	Dry Dual Component
Inverting Automatic Document Feeder	50 sheets (Letter, 20 lb, 75 g/m <sup>2</sup> )
Paper Feed	Std. 550-sheet paper tray unit x 2 + 50-sheet bypass Max. 2,250 sheets with option
Paper Weight	Paper Tray: 16 to 24 lb (60 to 90 g/m <sup>2</sup> ) Bypass: 15 to 34 lb (55 to 133 g/m <sup>2</sup> )
Power Requirements	AC 120, 60 Hz, 12A
Power Consumption	Max.: Less than 1.5 kW Power saver mode: Approx. 28 W Sleep mode: Approx. 18 W
Warm-up Time (68°F/20°C)	Approx. 35 sec. (Main power switch ON) Approx. 30 sec. (Power saver mode)
Dimensions (W x D x H) <sup>1</sup> (Excluding optional equipment)	23.6" x 27.9" x 33.9" (597 x 707 x 860 mm) (Including Automatic Document Feeder and ADF mounting bracket)
Weight <sup>1</sup> (Excluding optional equipment)	Approx. 181 lb (82 kg)

### Digital Copier

First Copy Time	Approx. 4.5 sec. (Letter)
Resolution	600 dpi
Gray Scale	256 steps
Multi Copy Speed <sup>1,2</sup>	up to 30 cpm
Maximum Original Size	Ledger
Copy Size	Ledger-Invoice (fixed)
Copy Ratio	Enlargement (fixed) 200 %, 155 %, 129 %, 121 % Reduction (fixed) 79 %, 77 %, 65 %, 61 %, 50 %
Zoom (variable)	25-400 % (in 1% increments)
Multiple Copy	1 to 999, Automatic reset to 1
Exposure Control	Text, Text/Photo, Photo
Sort Memory (Standard)	16 MB
(Option)	Base Memory (16 MB) plus 16 MB / 64 MB / 128 MB (max. 144 MB) 12 GB (with optional HDD)

### Printer

Network Printer Interface	Ethernet 10Base-T/100Base-TX
Communication Protocol	TCP/IP (LDP, RAW/Port9100, SNMP, DHCP) IPX/SPX <sup>3</sup> (NDS, Bindery, NDP <sup>3</sup> ), AppleTalk (PS), IPP (PCL, PS)
Local Printer Interface	USB 1.1
Printer Language (Standard)	Panasonic Printing System for Windows <sup>4</sup>
(Option)	PCL 5e Emulation <sup>5</sup> , PCL 6 Emulation <sup>5</sup> Adobe® PostScript <sup>®3</sup> <sup>6,7</sup>
Printing Speed <sup>1,2</sup>	up to 30 ppm
Paper Size	Paper Tray: Ledger-Invoice Bypass: Ledger-Invoice
Printing Resolution	1,200 dpi equivalent x 600 dpi (PCL, PS), 600 dpi x 600 dpi, 300 dpi x 300 dpi (PCL, PS, GDI)
Printer Memory	50 MB
PCL/PS Spool Memory	6 GB with optional HDD
Compatible Operating Systems	Windows® XP/2000/Server 2003, 98, Me, Windows NT® 4.0, MacOS 8.6-10.3 (PS Only) <sup>10</sup>
Compatible Network Operating Systems	Windows NT® 4.0, Windows® 2000/Server 2003, Unix (LPR), Linux (LPR)

### Network Scanner (Option)

Network Scanner Interface	Ethernet 10Base-T/100Base-TX
Communication Protocol	TCP/IP (LPR, FTP)
Maximum Scanning Size	Ledger
Scanning Speed <sup>1,7</sup>	Approx. 30 opm (Originals per minute – Letter portrait with ADF)
Scanning Resolution	150 dpi x 150 dpi, 300 dpi x 300 dpi, 600 dpi x 600 dpi
Compatible Operating Systems	Windows® XP/2000/Server 2003, 98, Me, Windows NT® 4.0
Data Format	TIFF, PDF

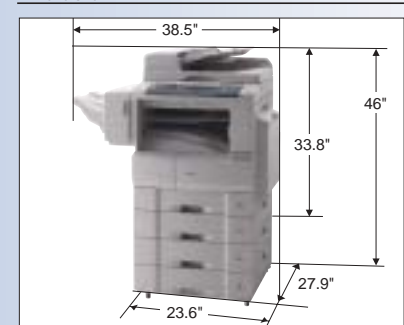
### G3 Fax (Option)

Compatibility	ITU-T Group 3, ECM
Modem Speed	33.6-24 kbps with automatic fallback
Coding Scheme	JBIG / MMR / MR / MH
Scanning Speed <sup>1,7</sup>	Approx. 0.7 sec. (Letter portrait in Standard or Fine mode with ADF)
Transmission Speed <sup>8</sup>	Approx. 2.7 sec.
Scanning Resolution	Standard: 203 dpi x 98 lpi (8 dots/mm x 3.85 lines/mm) Fine: 203 dpi x 196 lpi (8 dots/mm x 7.7 lines/mm) Super Fine: 406 dpi x 391 lpi (16 dots/mm x 15.4 lines/mm) 600 dpi: 600 dpi x 600 dpi
Maximum Original Size	Ledger
Effective Scanning Width	10.7" (274 mm)
Recording Resolution	600 x 600 dpi
Standard Memory <sup>9</sup>	3 MB (approx. 180 pages)
Optional Memory <sup>9</sup>	Base memory plus 4 MB (320 pages)/8 MB (640 pages)
Speed Dials	200 (Max. 1,000 with optional HDD)

### Internet Fax/Scan-to-Email (Option)<sup>10</sup>

Compatibility	IE/F RFC 2305, ITU-T T.37
Communication Protocol	TCP/IP (SMTP, POP3, LDAP)
Network Connectivity	10Base-T/100Base-TX Ethernet
Data Format	TIFF (Profile S/F/J), PDF <sup>11</sup>

### Dimensions



### Notes

- <sup>1</sup> Dimensions and weight are approximate.
- <sup>2</sup> Speeds are contingent upon applications, machine configuration, and status. Individual speeds may vary.
- <sup>3</sup> Compatible with Novell NetWare® 3/4/5/6 and Novell Directory Services®.
- <sup>4</sup> Available in the 4th quarter of 2004.
- <sup>5</sup> Printer Controller Module or Multi-Page Description Language Controller Module option required.
- <sup>6</sup> Multi-Page Description Language Controller Module option required.
- <sup>7</sup> Scanning speed applies to the feeding process from the top to the end of a single page test chart. The time for the feeding process does not include the time that it takes for the top edge of the page to reach the scanning point and page ejection. Time for entire storing process is not applied.
- <sup>8</sup> Transmission time applies to memory transmission of text data using only ITU-T Image No. 1 between the same models at maximum modem speed. Transmission time may vary in actual usage. Usually public telephone lines can only support communication speeds of 28.8 kbps or lower. Via PBX, transmission speed may fall back to a lower speed.
- <sup>9</sup> Based on ITU-T Image No. 1 scanned in Standard mode.
- <sup>10</sup> Depending on the receiving machines capability, the document may not be correctly printed depending on the chosen resolution and document size.
- <sup>11</sup> IJ37 Internet Fax only supports TIFF format.

Design and specification are subject to change without notice. Not all options may be available at the time of notification.

Microsoft® Windows® and Windows NT® are registered trademarks of Microsoft Corporation. Adobe, PostScript and PostScript 3 are either registered trademarks or trademarks of Adobe Systems Incorporated in the United States and/or other countries. Novell NetWare® and Novell Directory Services® are registered trademarks of Novell, Inc., in the United States and other countries. PCL is a registered trademark of Hewlett-Packard. WORKiO is a registered trademark of Matsushita Electric Industrial Co., Ltd. All other brand or product names are the property of their respective holders.

# Panasonic®

Panasonic Digital Document Company  
Unit of Matsushita Electric Corporation of America

Two Panasonic Way, Secaucus, NJ 07094  
For a local dealer, please call 1-800-742-8086  
<http://www.panasonic.com/office>



As an Energy Star® Partner, Panasonic has determined that this product meets the Energy Star® Guidelines for energy efficiency.

## ISO 9001 Quality Management System

Our business processes which produce document, information and network products, from manufacturing to marketing, conform to ISO9001 Quality Management Systems standard. Design, development, manufacture, installation, repair and maintenance of document, information and network products, their associated devices and consumables.

